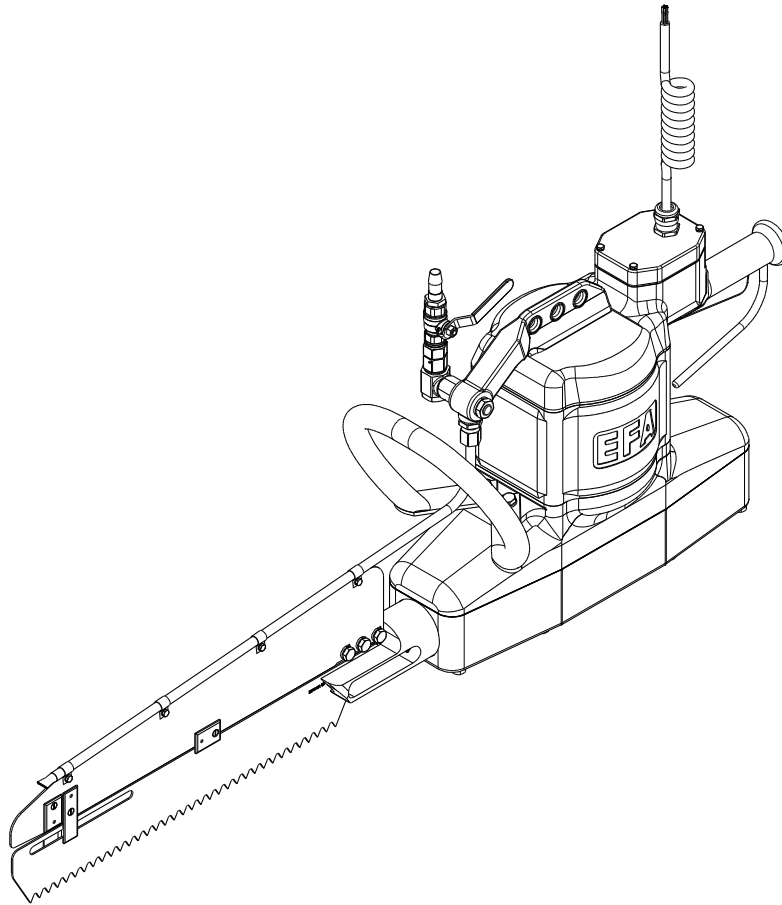




Ein Geschäftsbereich von Schmid & Wezel

Spare parts list



**EFA 69 / 400 V, 50 Hz
110885815**

Schmid und Wezel GmbH

Maschinenfabrik

Maybachstrasse 2

D-75433 Maulbronn


Tel. +49 7043 1020

Fax +49 7043 10278

E-mail: efa-verkauf@efa-germany.de

www.efa-germany.com

Spare parts list splitting saw EFA 69 (110885815)

		Splitting saw EFA 69	
Item no.	Part number	Part description	Quantity
1	001601805	Spiral line, complete	1
2	001325556	Cable gland	1
3	001325952	Hexagon screw	4
4	001317007	Spring washer	19
5	003015411	Cover	1
6	001611685	Solid state relay	1
7	001310002	Washer	2
8	001320230	Cylinder head screw with hexagon socket	2
9	001605039	Terminal	1
10	001605028	Terminal	1
11	001605029	Terminal	2
12	001326101	Cylinder head screw	5
13	001605601	Terminal	1
14	001368640	Blanking plug with O-ring	1
15	001611684	Power supply	1
16	003015425	Seal	1
17	001601225	Inductive sensor	1
18	003015412	Washer	1
19	001312709	O-ring	1
20	008011149	Housing, complete	1
20.1	007011149	Housing, complete	1
20.2	001304503	Hexagon nut	2
20.3	001326411	Countersunk screw	1
20.4	001326405	Countersunk screw	2
20.5	003010816	Switching handle	1
21	001307225	Cylindrical pin	1
22	001366205	Grommet with external thread	1
23	001313102	Sealing ring	3
24	001362005	Water lever	1
25	001607165	Screw-in socket	1
26	001607164	Swivel fitting	1
27	003010679	Bolt	1
28	001312605	O-ring	2
29	001607151	Screw-in fitting	1
30	007009802	Bracket, complete	1
31	001317004	Spring washer	1
32	001300244	Hexagon nut	1
33	003011687	Water pipe	1
34	001304502	Hexagon nut with clamping part	4
35	001371904	Pipe clamp	4
36	001325922	Hexagon screw	4
37	007010603	Guide, complete	1
37.1	003015364	Plate	1
37.2	003015474	Guiding Plate	1
37.3	003015473	Sword	1
37.4	003015359	Plate	4

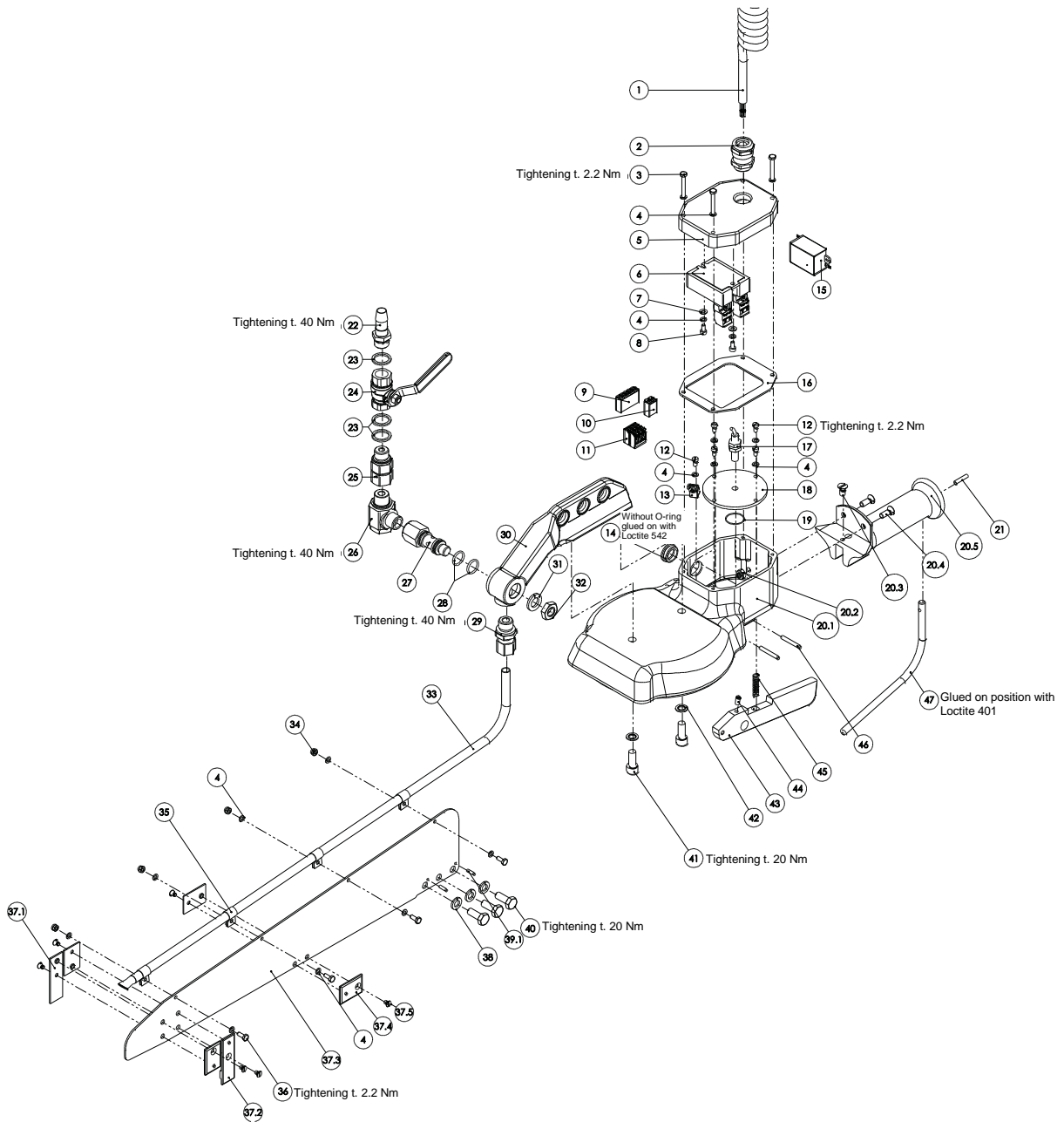
Spare parts list splitting saw EFA 69 (110885815)

37.5	001326433	Countersunk screw	6
38	001317003	Spring washer	5
39	007011688	Bracket, complete	1
39.1	001307205	Cylindrical pin	3
39.2	003011688	Bracket	1
40	001325908	Hexagon screw	11
41	001326016	Cylinder head screw	2
42	001313105	Sealing washer	22
43	003015413	Operating lever	1
44	001327702	Grub screw	1
45	001318322	Compression spring	1
46	001307223	Cylindrical pin	2
47	003009801	Hoop	1
48	001314604	Wave lock washer	1
49	001345316	Deep-groove ball bearing	1
50	007011692	Armature shaft, complete	1
51	001305415	Feather key	1
52	008011697	Stator housing, complete	1
53	001325906	Hexagon screw	2
54	003010676	Handle	1
55	007011690	Housing, complete	1
56	001340525	Deep-groove ball bearing	1
57	003011691	Seal	1
58	003002939	Threaded ring	1
59	001326047	Cylinder head screw with hexagon socket	4
60	001301539	Self-locking slotted nut	1
61	003011680	Threaded ring	2
62	001315102	Nilos ring	4
63	001345729	Cylindrical roller bearing	2
64	001305464	Feather key	2
65	003011679	Connecting rod	2
66	003009941	Sleeve	2
67	003011677	Holding fixture	1
68	003009852	Washer	1
69	001326506	Countersunk screw	2
70	003011678	Eccentric	1
71	003011701	Washer	1
72	003010601	Saw blade	1
73	002000221	Hexagon screw	2
74	003011684	Spindle	1
75	003009813	Bolt	1
76	001325912	Hexagon screw	8
77	003011700	Guide	1
78	001317002	Spring washer	8
79	003011685	Plate	4
80	003011681	Bolt	1
81	002000319	Sintered bearing	3
82	007011683	Guide, complete	1
83	001308121	Clamping pin	1

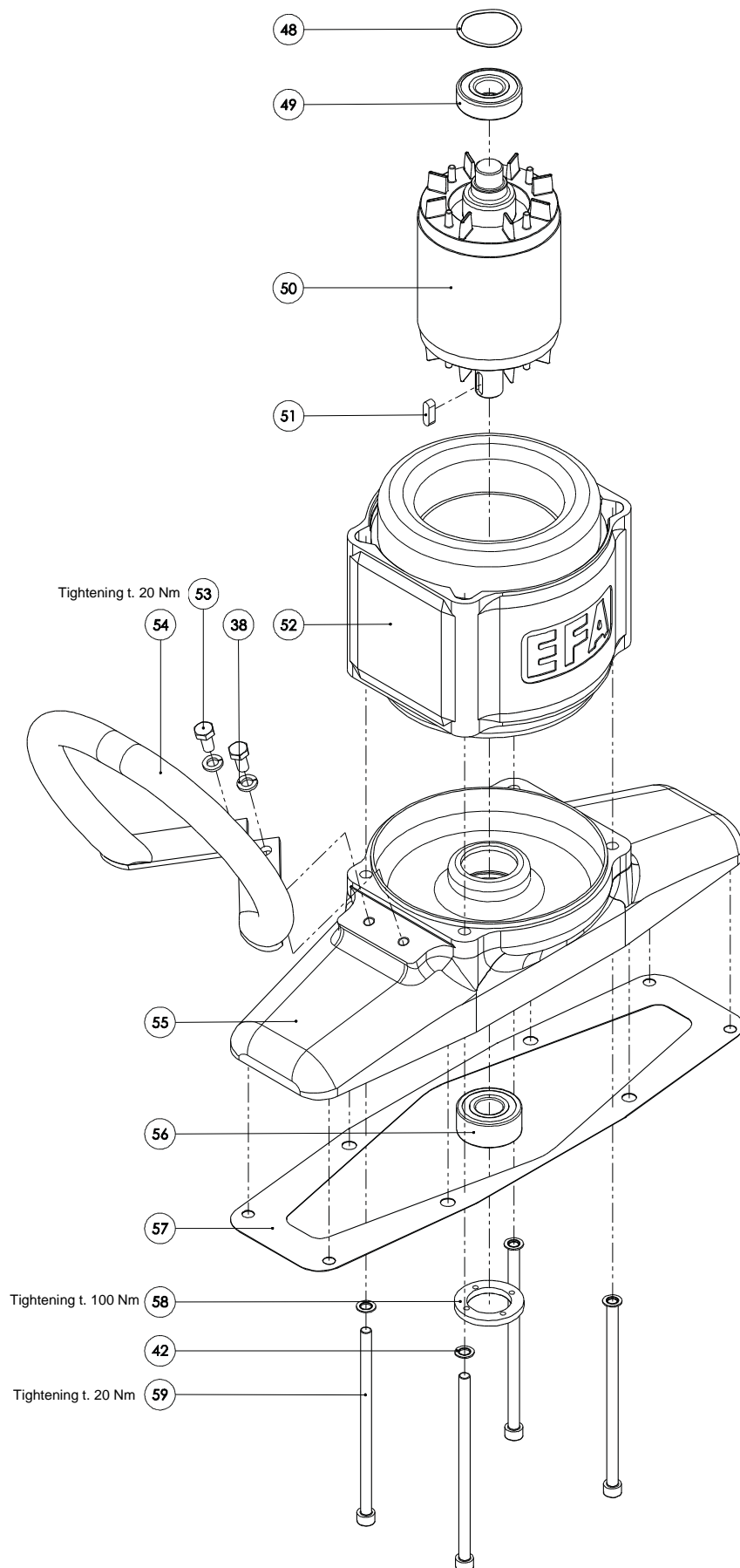
Spare parts list splitting saw EFA 69 (110885815)

84	003011682	Bracket	1
85	003009948	Sleeve	2
86	003011689	Housing	1
87	001327202	Hexagon screw	8
88	003011686	Threaded ring	1
89	001317758	O-ring	1
90	001317736	O-ring	1
91	001312624	O-ring	1
92	003011880	Bushing	1
93	001607196	Mechanical seal ring	2
94	003011787	Ring	1
95	001317776	O-ring	1
96	003011698	Washer	1
97	001312324	Retaining ring	1
Accessories, included in scope of supply			
	007899386	Accessories	

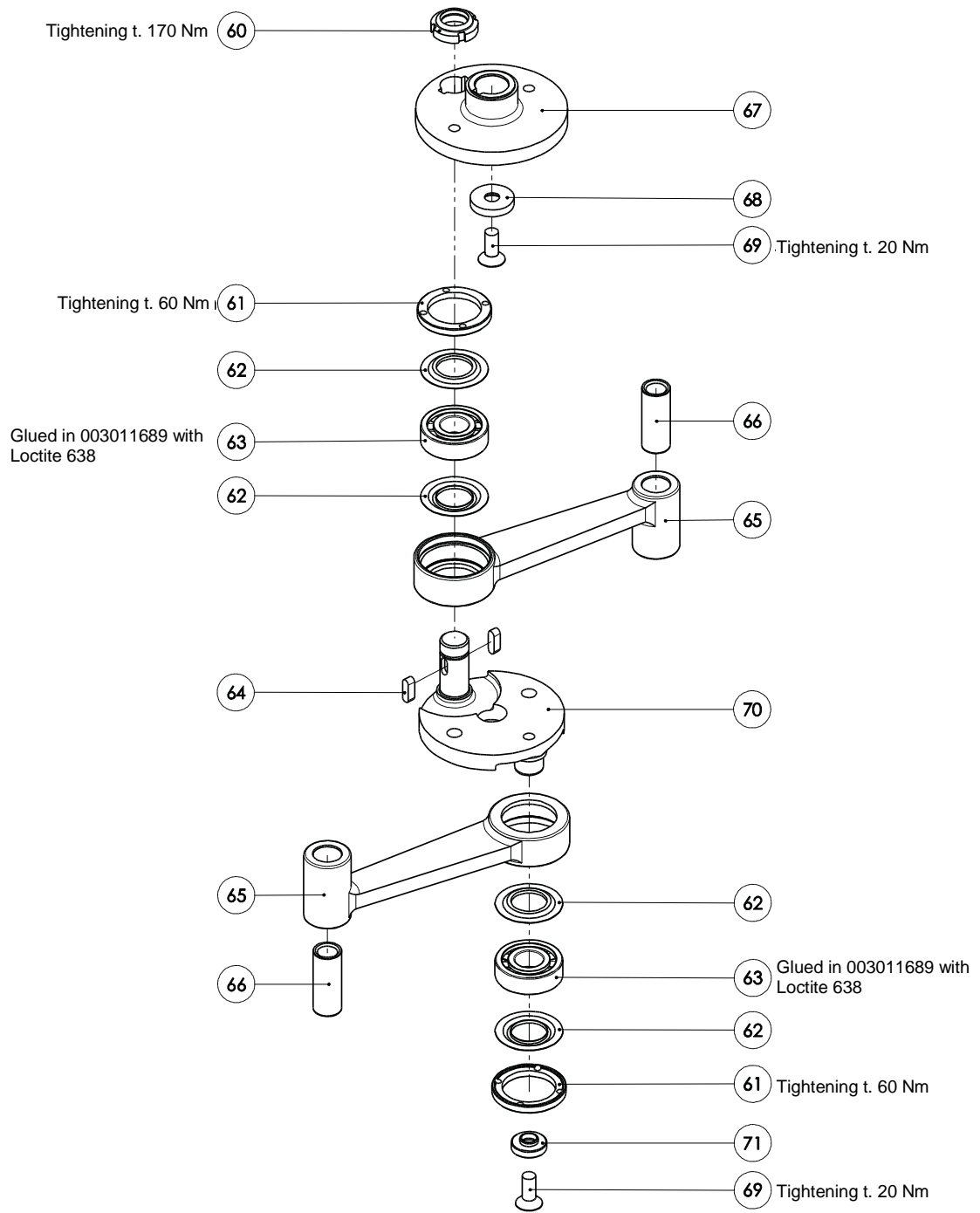
Spare parts list splitting saw EFA 69 (110885815)



Spare parts list splitting saw EFA 69 (110885815)

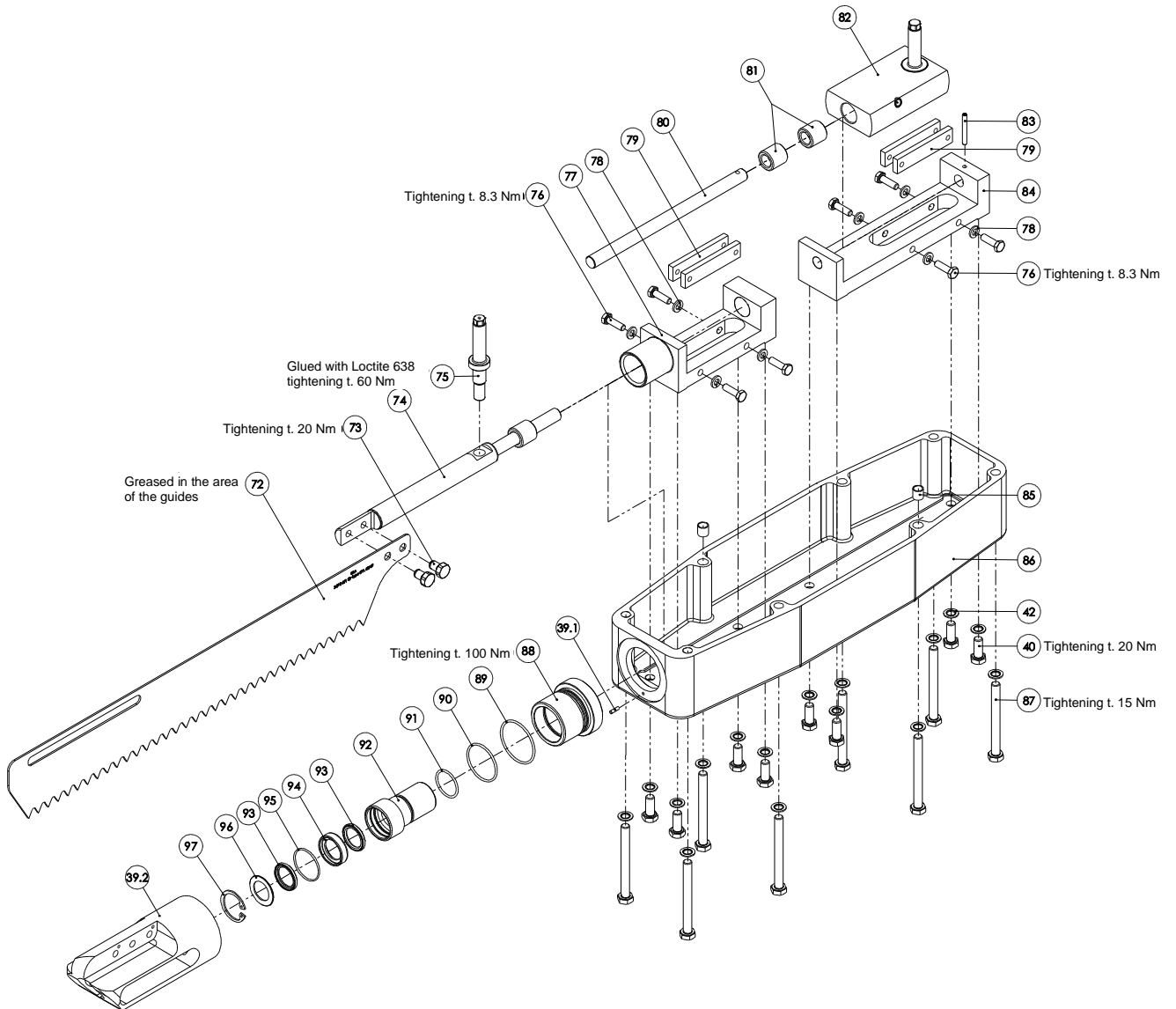


Spare parts list splitting saw EFA 69 (110885815)



Spare parts list splitting saw EFA 69 (110885815)

00



Spare parts list splitting saw EFA 69 (110885815)

Dimensional drawing

