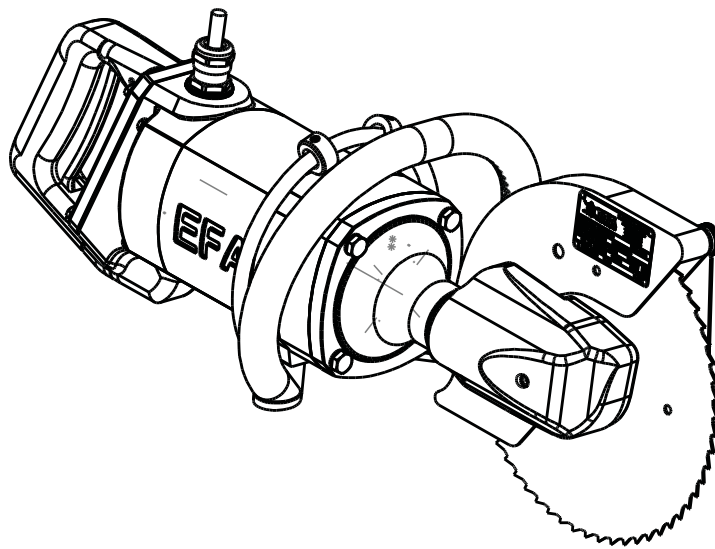


Spare parts list



Breaking saw EFA 86

208V; 60Hz

110 886 336

Schmid und Wezel GmbH

Maschinenfabrik

Maybachstrasse 2

D-75433 Maulbronn


Tel. +49 7043 1020

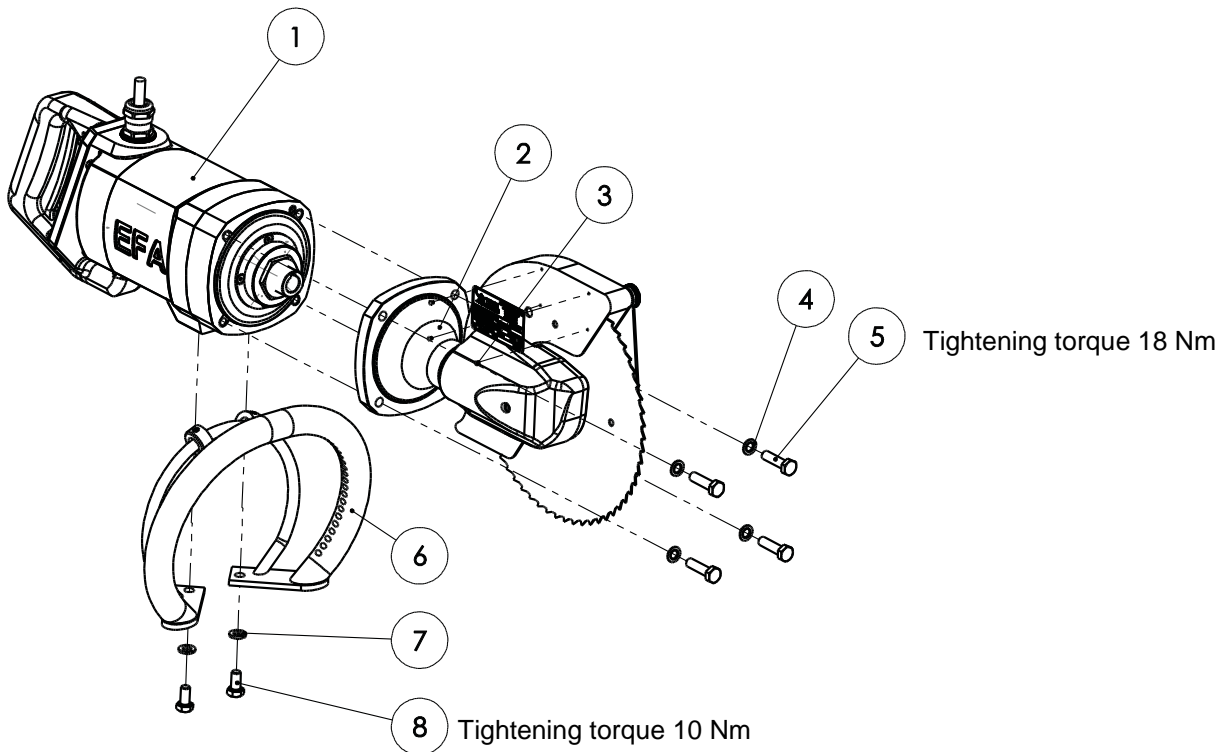
Fax +49 7043 10278

E-mail: efa-verkauf@efa-germany.de


www.efa-germany.com

Spare parts list breaking saw EFA 86 (110 886 336)

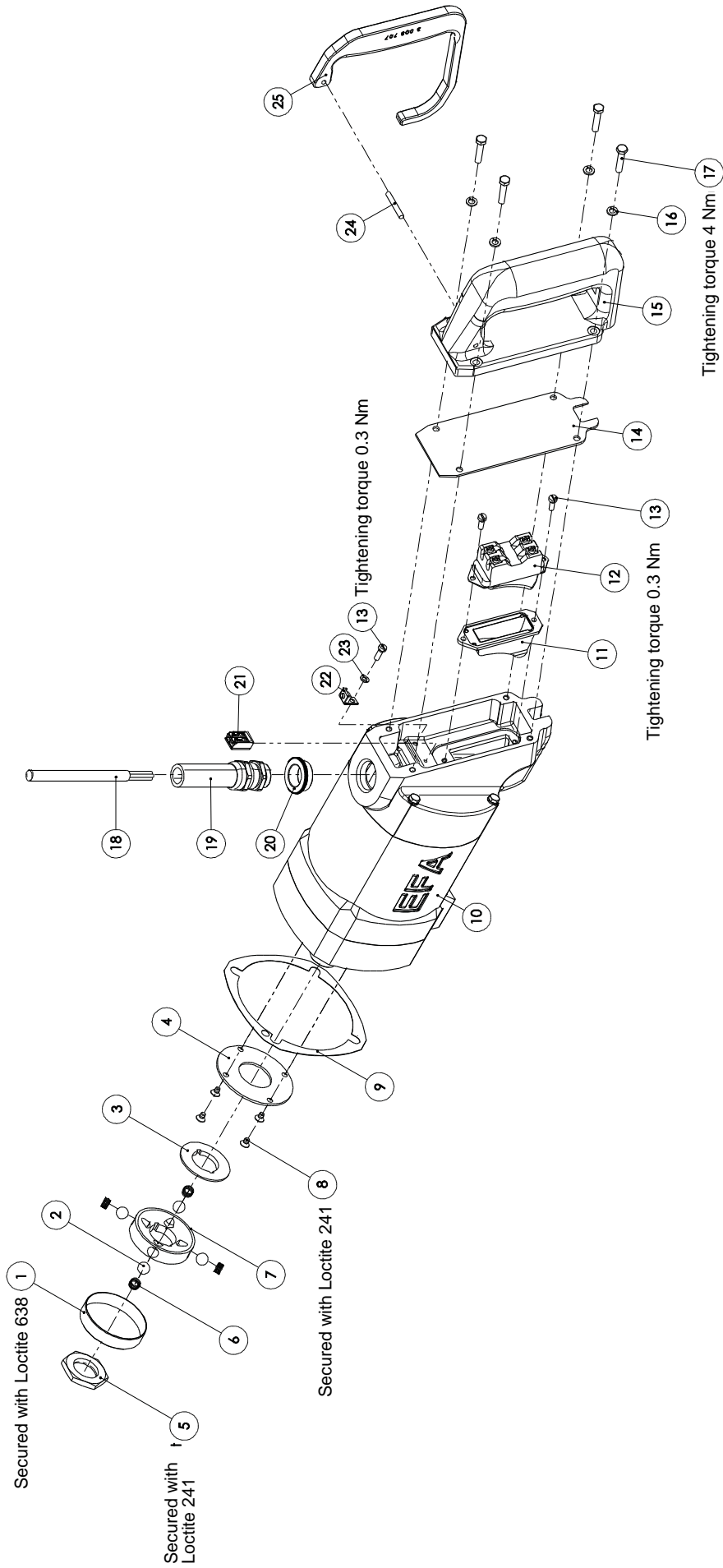
|  | | Breaking saw EFA 86 (110 886 336) | |
|---|-------------|--|----------|
| Item no. | Part number | Part description | Quantity |
| 1 | 008 011 243 | Motor, complete | 1 |
| 2 | 008 008 823 | Gearhead, complete | 1 |
| 3 | 001 306 504 | Half-round grooved pin | 4 |
| 4 | 001 313 105 | Sealing washer | 4 |
| 5 | 001 325 904 | Hexagon screw | 4 |
| 6 | 007 008 807 | Handle | 1 |
| 7 | 001 317 003 | Spring washer | 2 |
| 8 | 001 325 906 | Hexagon screw | 2 |
| Accessories, included in scope of supply | | | |
| | 001 365 821 | Single open-end wrench | 1 |
| | 002 000 071 | Retention pin Ø5 | 1 |




Spare parts list breaking saw EFA 86 (110 886 336)

|  Motor, complete (008 011 243) | | | |
|--|-------------|---------------------|----------|
| Item no. | Part number | Part description | Quantity |
| 1 | 003 009 159 | Ring | 1 |
| 2 | 001 342 510 | Ball | 4 |
| 3 | 003 009 160 | Friction disc | 1 |
| 4 | 003 009 161 | Washer | 1 |
| 5 | 003 009 162 | Nut | 1 |
| 6 | 001 362 673 | Compression spring | 4 |
| 7 | 003 009 158 | Washer | 1 |
| 8 | 001 326 509 | Countersunk screw | 4 |
| 9 | 003 006 742 | Seal | 1 |
| 10 | 007 011 724 | Motor, complete | 1 |
| 11 | 007 006 123 | Cover cap, complete | 1 |
| 12 | 002 000 291 | Switch | 1 |
| 13 | 001 326 103 | Cylinder head screw | 4 |
| 14 | 003 008 804 | Seal | 1 |
| 15 | 003 008 706 | Switching handle | 1 |
| 16 | 001 317 001 | Spring washer | 4 |
| 17 | 001 325 947 | Hexagon screw | 4 |
| 18 | 001 601 724 | Spiral line | 1 |
| 19 | 001 325 500 | Cable gland | 1 |
| 20 | 001 604 009 | Reduction | 1 |
| 21 | 001 605 028 | Terminal | 1 |
| 22 | 001 605 602 | Earth Terminal | 1 |
| 23 | 001 317 007 | Spring washer | 1 |
| 24 | 001 307 223 | Cylindrical pin | 1 |
| 25 | 003 008 707 | Operating lever | 1 |

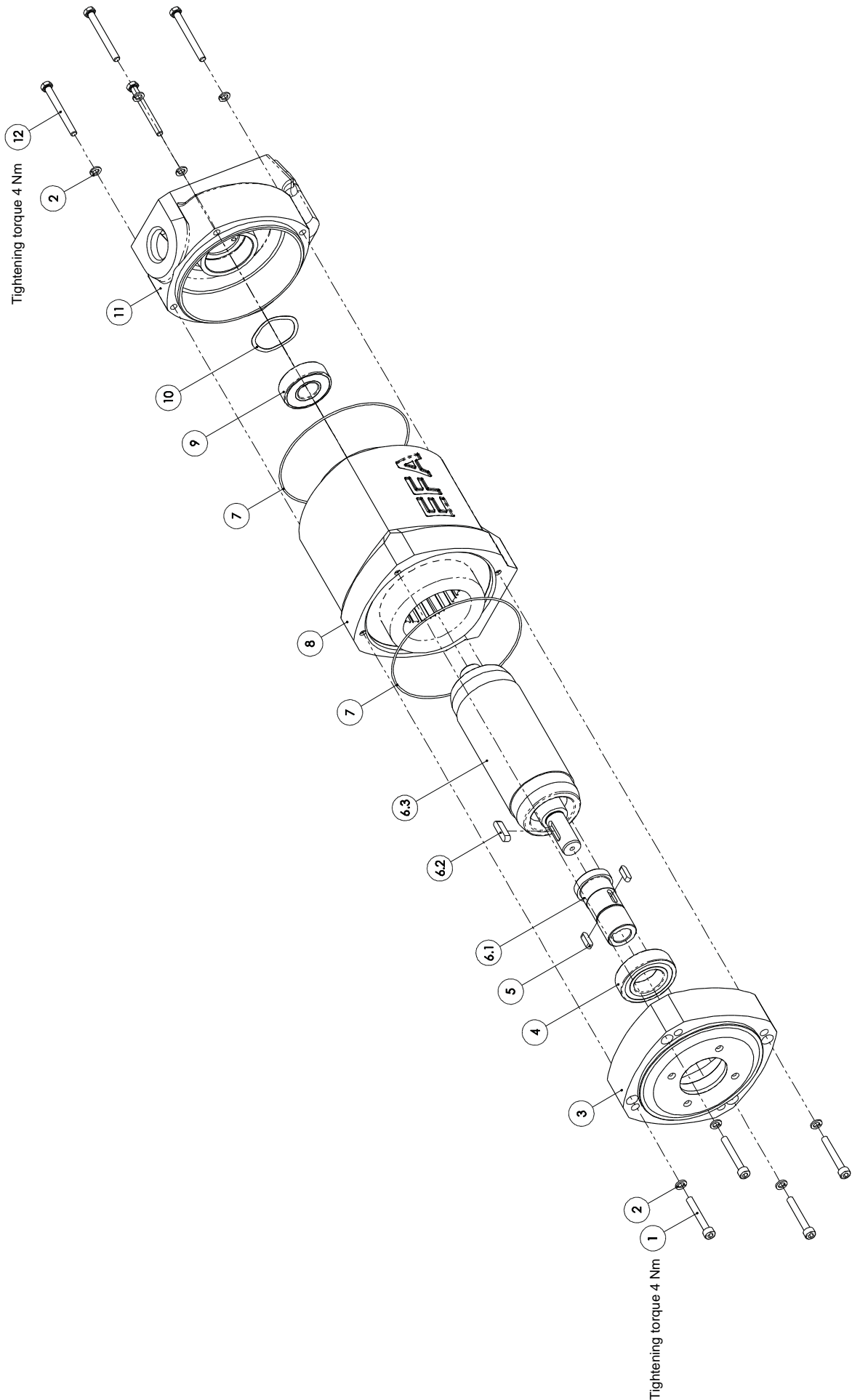
Spare parts list breaking saw EFA 86 (110 886 336)




Spare parts list breaking saw EFA 86 (110 886 336)

|  Motor, complete (007 011 724) | | | |
|--|-------------|--------------------------|----------|
| Item no. | Part number | Part description | Quantity |
| 1 | 001 326 012 | Cylinder head screw | 4 |
| 2 | 001 317 001 | Spring washer | 8 |
| 3 | 003 008 704 | End shield | 1 |
| 4 | 001 345 328 | Deep-groove ball bearing | 1 |
| 5 | 001 305 456 | Feather key | 2 |
| 6 | 007 008 803 | Armature shaft, complete | 1 |
| 6.1 | 003 008 805 | Sleeve | 1 |
| 6.2 | 001 305 414 | Feather key | 1 |
| 6.3 | 001 455 411 | Press cast rotor | 1 |
| 7 | 001 317 731 | O-ring | 2 |
| 8 | 007 008 829 | Stator housing, complete | 1 |
| 9 | 001 340 237 | Deep-groove ball bearing | 1 |
| 10 | 001 314 603 | Wave lock washer | 1 |
| 11 | 003 008 705 | Housing | 1 |
| 12 | 001 325 930 | Hexagon screw | 4 |

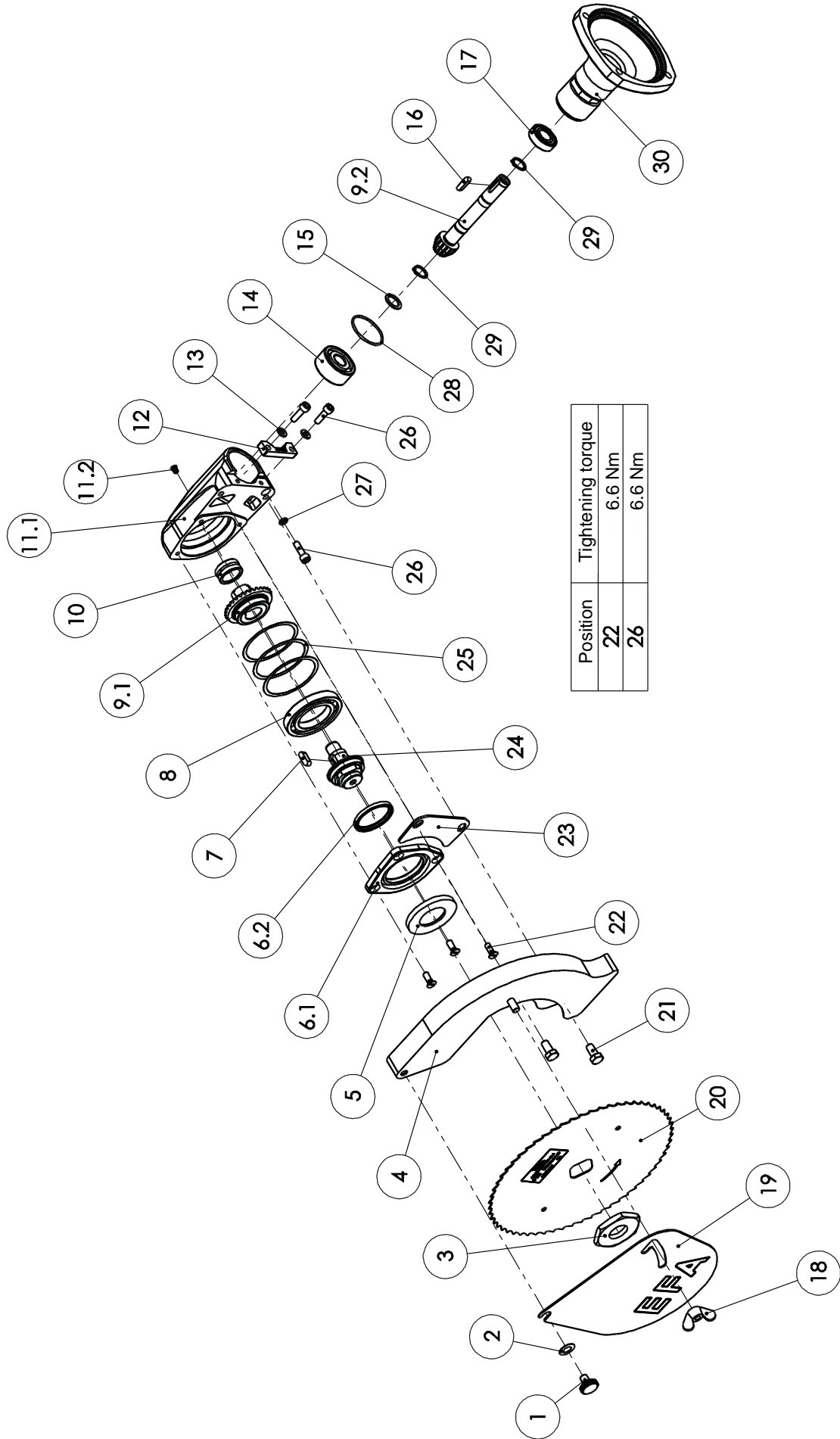
Spare parts list breaking saw EFA 86 (110 886 336)



Spare parts list breaking saw EFA 86 (110 886 336)

|  | | Gearhead, complete (008 008 823) | |
|---|-------------|---|----------|
| Item no. | Part number | Part description | Quantity |
| 1 | 003 003 860 | Screw | 1 |
| 2 | 001 315 805 | Cup spring | 1 |
| 3 | 003 001 079 | Clamping nut | 1 |
| 4 | 007 008 806 | Protective hood | 1 |
| 5 | 003 005 495 | Sealing washer | 1 |
| 6 | 007 005 494 | Cover, complete | 1 |
| 6.1 | 003 005 493 | Cover | 1 |
| 6.2 | 001 344 231 | Seal | 1 |
| 7 | 001 305 455 | Feather key | 1 |
| 8 | 001 340 109 | Deep-groove ball bearing | 1 |
| 9 | 007 006 799 | Bevel gear pair, complete | 1 |
| 9.1 | 003 005 491 | Drive bevel gear | 1 |
| 9.2 | 003 006 799 | Bevel gear spindle | 1 |
| 10 | 001 343 703 | Needle bearing | 1 |
| 11 | 007 006 794 | Gearbox housing, complete | 1 |
| 11.1 | 003 006 794 | Gearbox housing | 1 |
| 11.2 | 001 305 801 | Grease nipple | 1 |
| 12 | 003 006 801 | Clamping plate | 1 |
| 13 | 001 317 002 | Spring washer | 2 |
| 14 | 001 340 512 | Angular contact ball bearing | 1 |
| 15 | 001 315 218 | Shim | 1 |
| 16 | 001 305 414 | Feather key | 1 |
| 17 | 001 340 247 | Deep-groove ball bearing | 1 |
| 18 | 002 000 203 | Wing nut | 1 |
| 19 | 003 005 504 | Depth stop | 1 |
| 20 | 003 006 614 | Saw blade | 1 |
| 21 | 001 325 906 | Hexagon screw | 2 |
| 22 | 001 326 405 | Countersunk screw | 3 |
| 23 | 003 005 496 | Base | 1 |
| 24 | 003 005 489 | Tool spindle | 1 |
| 25 | 003 005 490 | Flat washer | 3 |
| 26 | 001 326 004 | Cylinder head screw | 3 |
| 27 | 001 310 924 | Spring washer | 1 |
| 28 | 001 312 644 | O-ring | 1 |
| 29 | 001 312 412 | Retaining ring | 2 |
| 30 | 003 008 815 | Adapter | 1 |

Spare parts list breaking saw EFA 86 (110 886 336)



Spare parts list breaking saw EFA 86 (110 886 336)

Dimensional drawing

