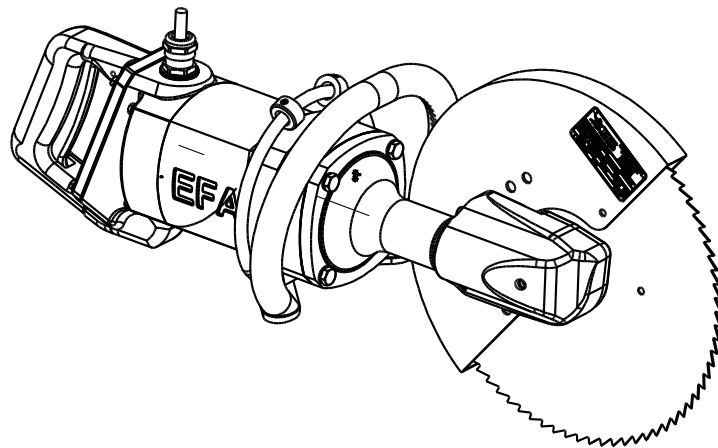


Spare parts list



Breaking saw EFA 85

208V; 60Hz

110 886 334

Schmid und Wezel GmbH

Maschinenfabrik

Maybachstrasse 2

D-75433 Maulbronn


Tel. +49 7043 1020

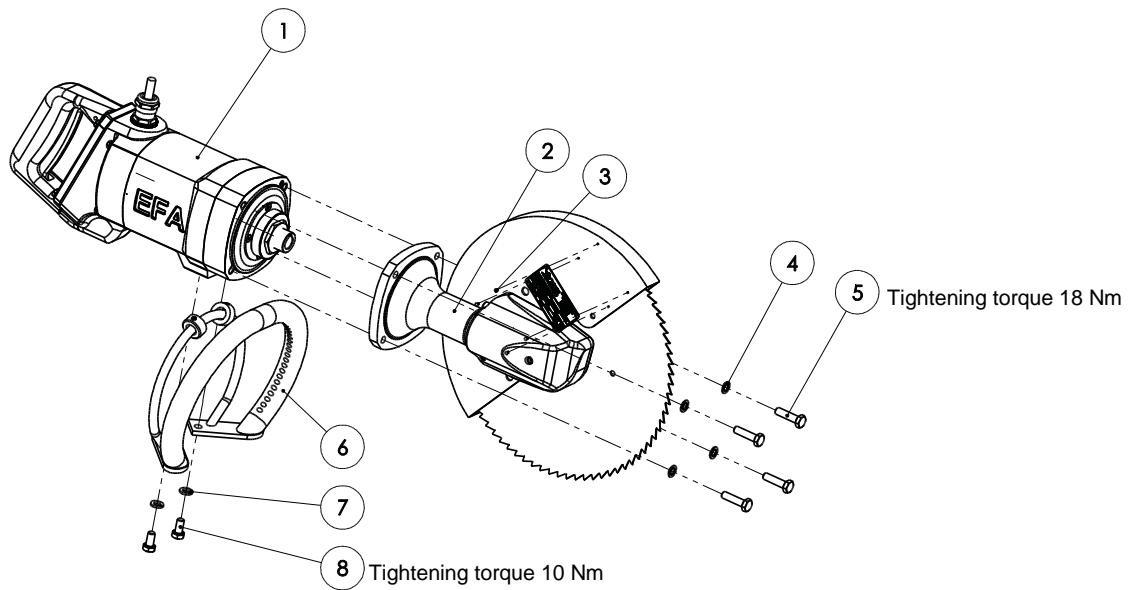
Fax +49 7043 10278

E-mail: efa-verkauf@efa-germany.de


www.efa-germany.com

Spare parts list breaking saw EFA 85 (110 886 334)

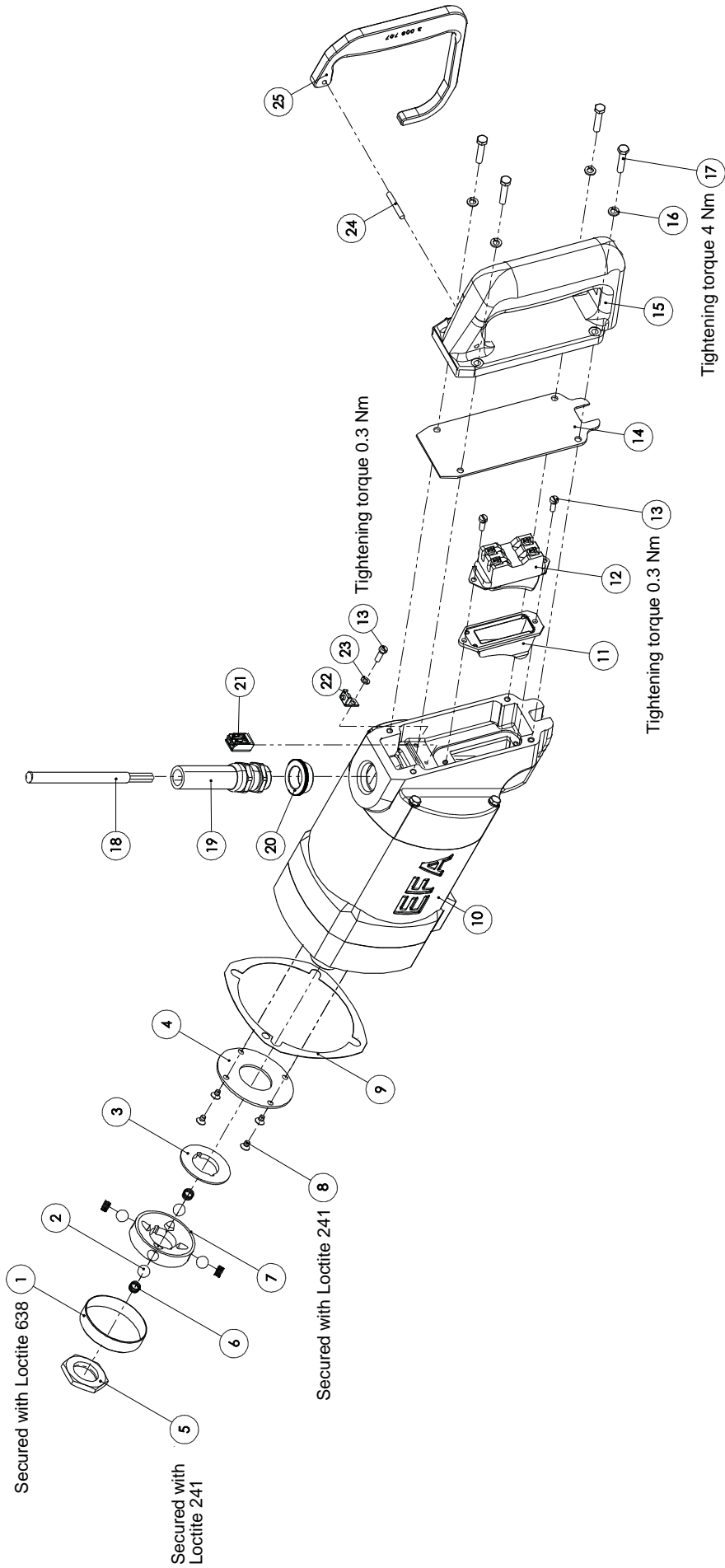
		Breaking saw EFA 85 (110 886 334)	
Item no.	Part number	Part description	Quantity
1	008 011 243	Motor, complete	1
2	008 008 821	Gearhead, complete	1
3	001 306 504	Half-round grooved pin	4
4	001 313 105	Sealing washer	4
5	001 325 904	Hexagon screw	4
6	007 008 807	Handle	1
7	001 317 003	Spring washer	2
8	001 325 906	Hexagon screw	2
Accessories, included in scope of supply			
	001 365 821	Single open-end wrench	1
	002 000 071	Retention pin Ø5	1




Spare parts list breaking saw EFA 85 (110 886 334)

 Motor, complete (008 011 243)			
Item no.	Part number	Part description	Quantity
1	003 009 159	Ring	1
2	001 342 510	Ball	4
3	003 009 160	Friction disc	1
4	003 009 161	Washer	1
5	003 009 162	Nut	1
6	001 362 673	Compression spring	4
7	003 009 158	Washer	1
8	001 326 509	Countersunk screw	4
9	003 006 742	Seal	1
10	007 011 724	Motor, complete	1
11	007 006 123	Cover cap, complete	1
12	002 000 291	Switch	1
13	001 326 103	Cylinder head screw	4
14	003 008 804	Seal	1
15	003 008 706	Switching handle	1
16	001 317 001	Spring washer	4
17	001 325 947	Hexagon screw	4
18	001 601 724	Spiral line	1
19	001 325 500	Cable gland	1
20	001 604 009	Reduction	1
21	001 605 028	Terminal	1
22	001 605 602	Earth Terminal	1
23	001 317 007	Spring washer	1
24	001 307 223	Cylindrical pin	1
25	003 008 707	Operating lever	1

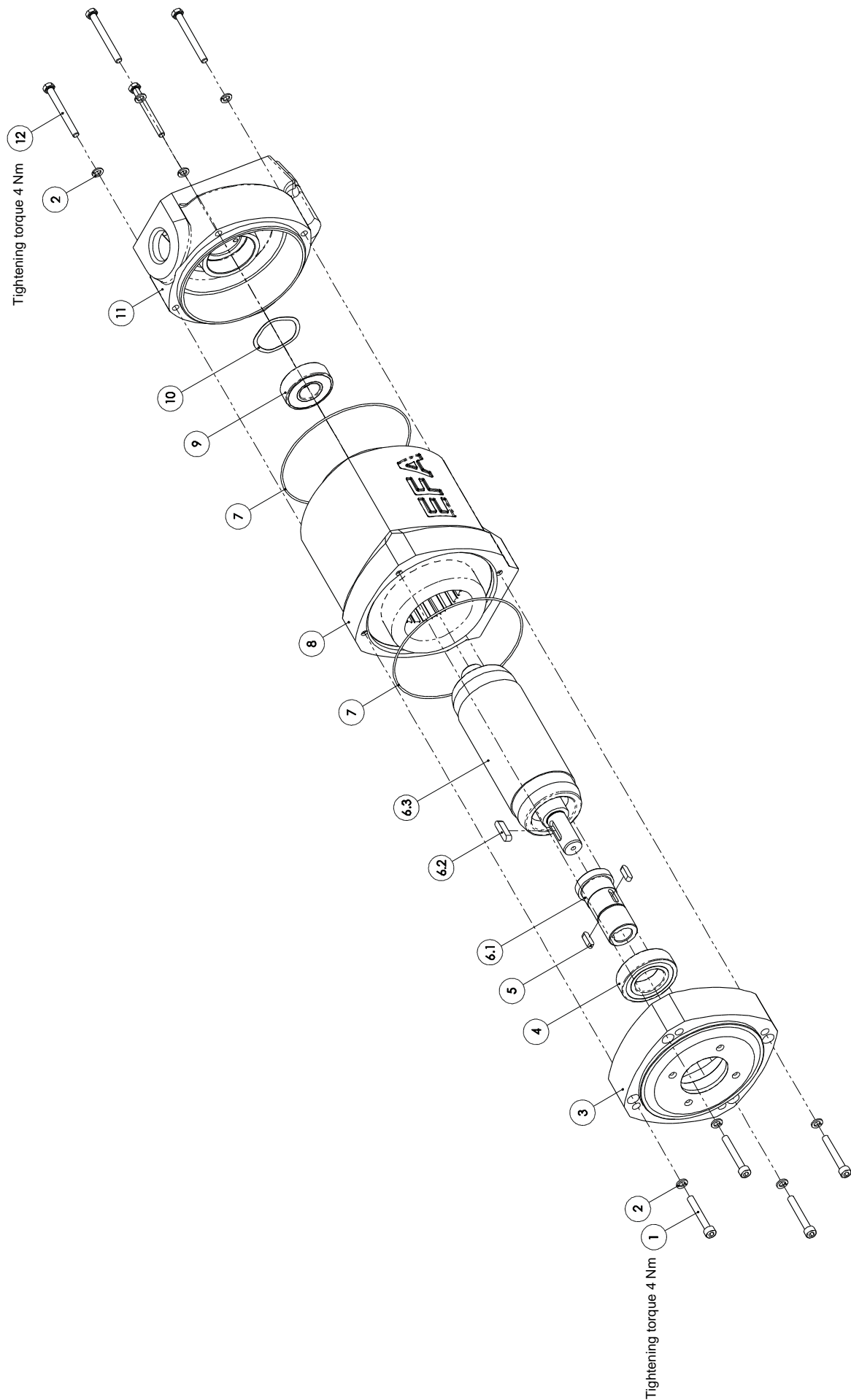
Spare parts list breaking saw EFA 85 (110 886 334)




Spare parts list breaking saw EFA 85 (110 886 334)

 Motor, complete (007 011 724)			
Item no.	Part number	Part description	Quantity
1	001 326 012	Cylinder head screw	4
2	001 317 001	Spring washer	8
3	003 008 704	End shield	1
4	001 345 328	Deep-groove ball bearing	1
5	001 305 456	Feather key	2
6	007 008 803	Armature shaft, complete	1
6.1	003 008 805	Sleeve	1
6.2	001 305 414	Feather key	1
6.3	001 455 411	Press cast rotor	1
7	001 317 731	O-ring	2
8	007 008 829	Stator housing, complete	1
9	001 340 237	Deep-groove ball bearing	1
10	001 314 603	Wave lock washer	1
11	003 008 705	Housing	1
12	001 325 930	Hexagon screw	4

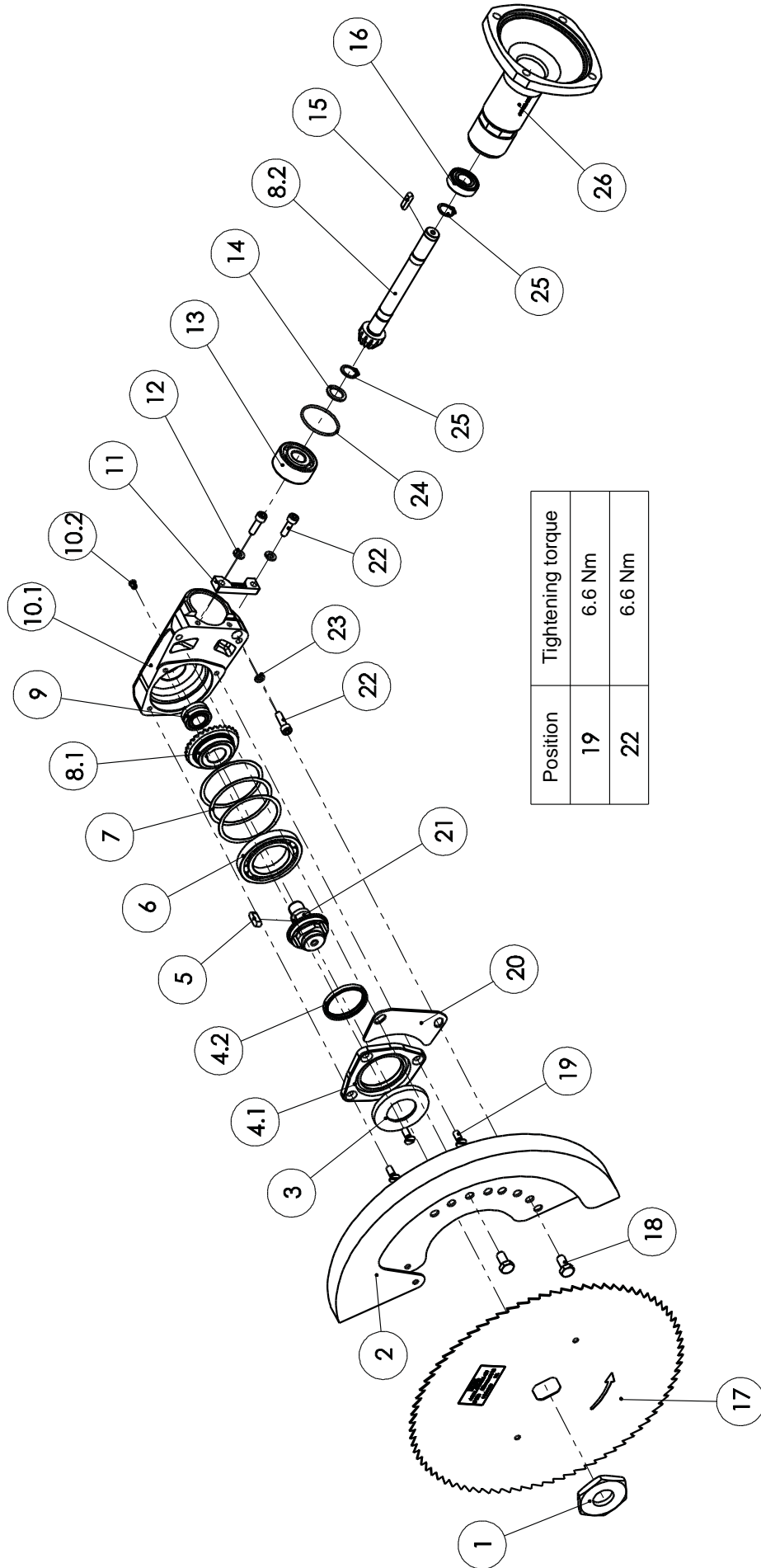
Spare parts list breaking saw EFA 85 (110 886 334)



Spare parts list breaking saw EFA 85 (110 886 334)

 Gearhead, complete (008 008 821)			
Item no.	Part number	Part description	Quantity
1	003 001 079	Clamping nut	1
2	007 008 808	Protective hood, complete	1
3	003 005 495	Sealing washer	1
4	007 005 494	Cover, complete	1
4.1	003 005 493	Cover	1
4.2	001 344 231	Seal	1
5	001 305 455	Feather key	1
6	001 340 109	Deep-groove ball bearing	1
7	003 005 490	Flat washer	3
8	007 006 989	Bevel gear pair, complete	1
8.1	003 005 491	Output bevel gear	1
8.2	003 006 989	Bevel gear spindle	1
9	001 343 703	Needle bearing	1
10	007 006 794	Gearbox housing, complete	1
10.1	003 006 794	Gearbox housing	1
10.2	001 305 801	Grease nipple	1
11	003 006 801	Clamping plate	1
12	001 317 002	Spring washer	2
13	001 340 512	Angular contact ball bearing	1
14	001 315 218	Shim	1
15	001 305 414	Feather key	1
16	001 340 247	Deep-groove ball bearing	1
17	003 006 429	Saw blade	1
18	001 325 906	Hexagon screw	2
19	001 326 405	Countersunk screw	3
20	003 005 496	Base	1
21	003 005 489	Tool spindle	1
22	001 326 004	Cylinder head screw	3
23	001 310 924	Spring washer	1
24	001 312 644	O-ring	1
25	001 312 412	Retaining ring	2
26	003 008 817	Adapter	1

Spare parts list breaking saw EFA 85 (110 886 334)



Spare parts list breaking saw EFA 85 (110 886 334)

Dimensional drawing

